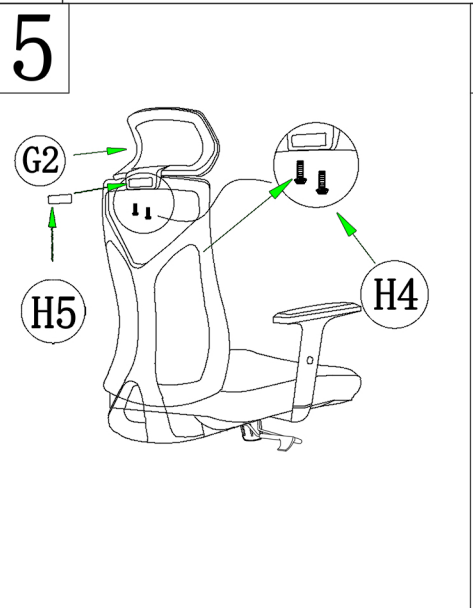
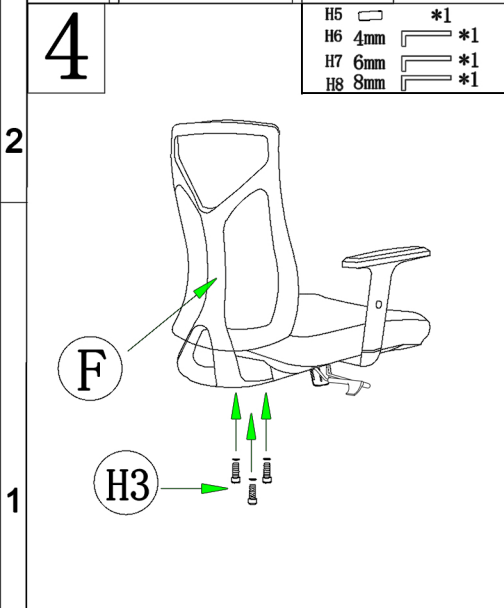
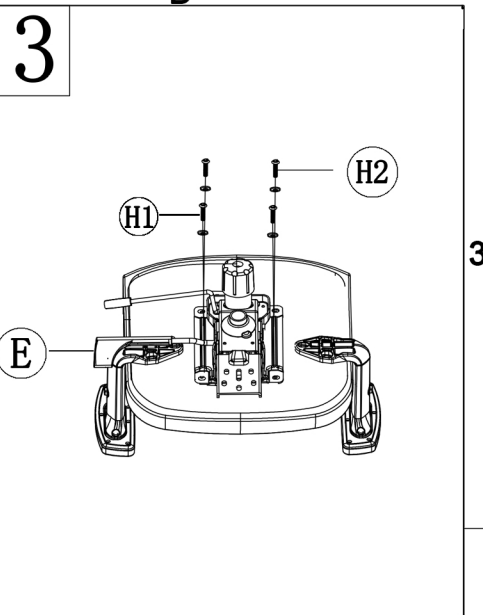
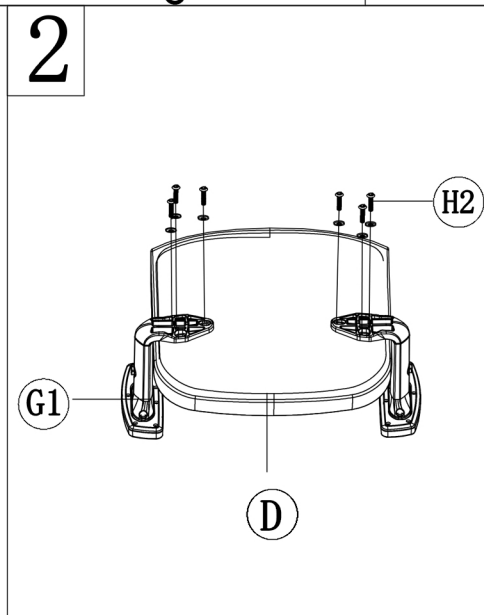
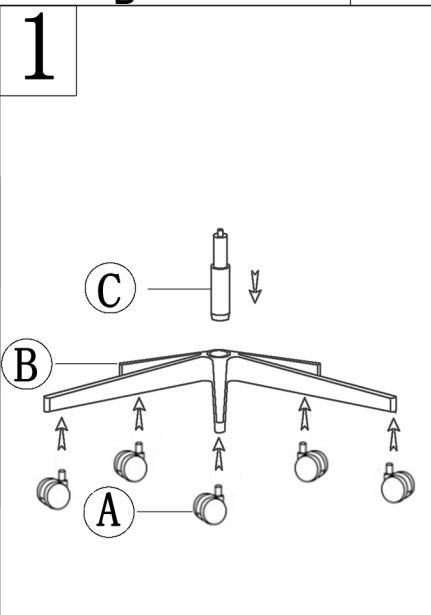


# Assembly Instruction

<b>A</b>		<b>B</b>													
<b>C</b>		<b>D</b>													
<b>E</b>		<b>F</b>													
<b>G</b>		<b>H</b>	<table border="0"> <tr> <td>H1 6*20</td> <td></td> <td>*2</td> </tr> <tr> <td>H2 6*30</td> <td></td> <td>*8</td> </tr> <tr> <td>H3 8*20</td> <td></td> <td>*3</td> </tr> <tr> <td>H4 6*16</td> <td></td> <td>*2</td> </tr> </table>	H1 6*20		*2	H2 6*30		*8	H3 8*20		*3	H4 6*16		*2
H1 6*20		*2													
H2 6*30		*8													
H3 8*20		*3													
H4 6*16		*2													



H5		*1
H6		*1
H7		*1
H8		*1