
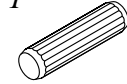

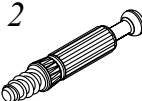

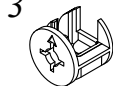
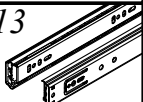
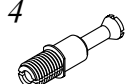
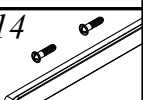

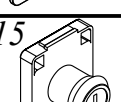
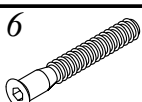
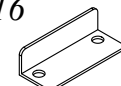
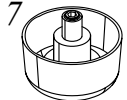
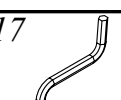

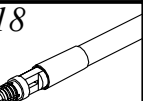

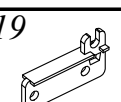
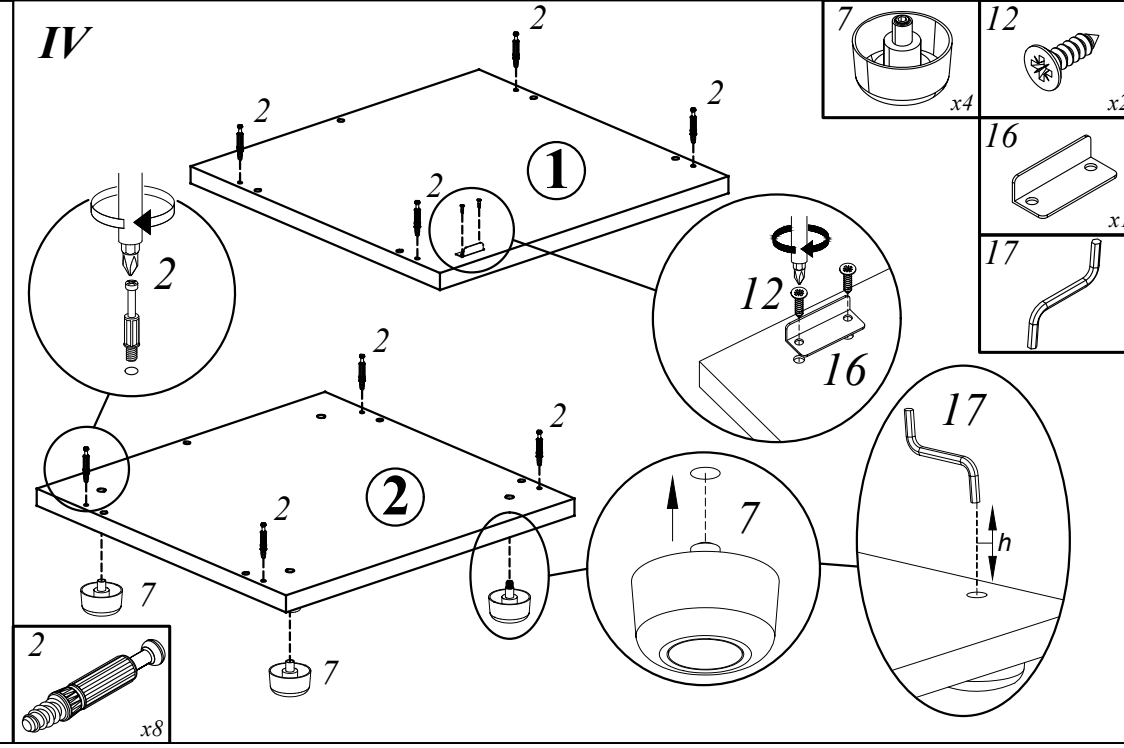
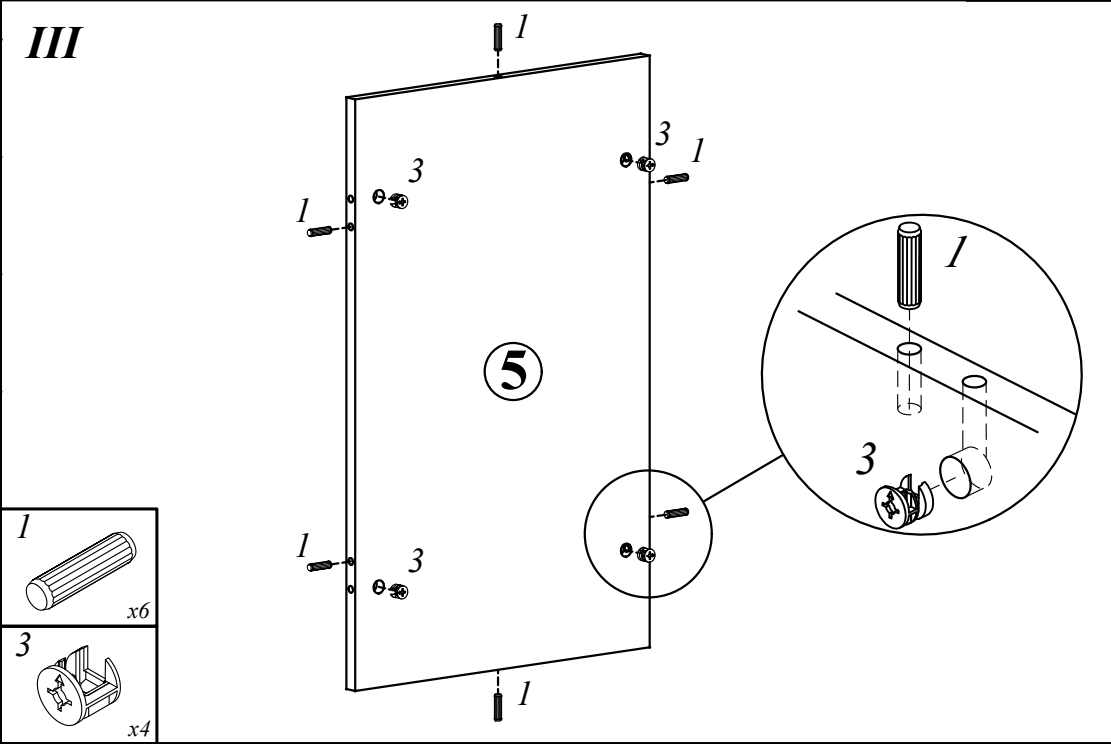
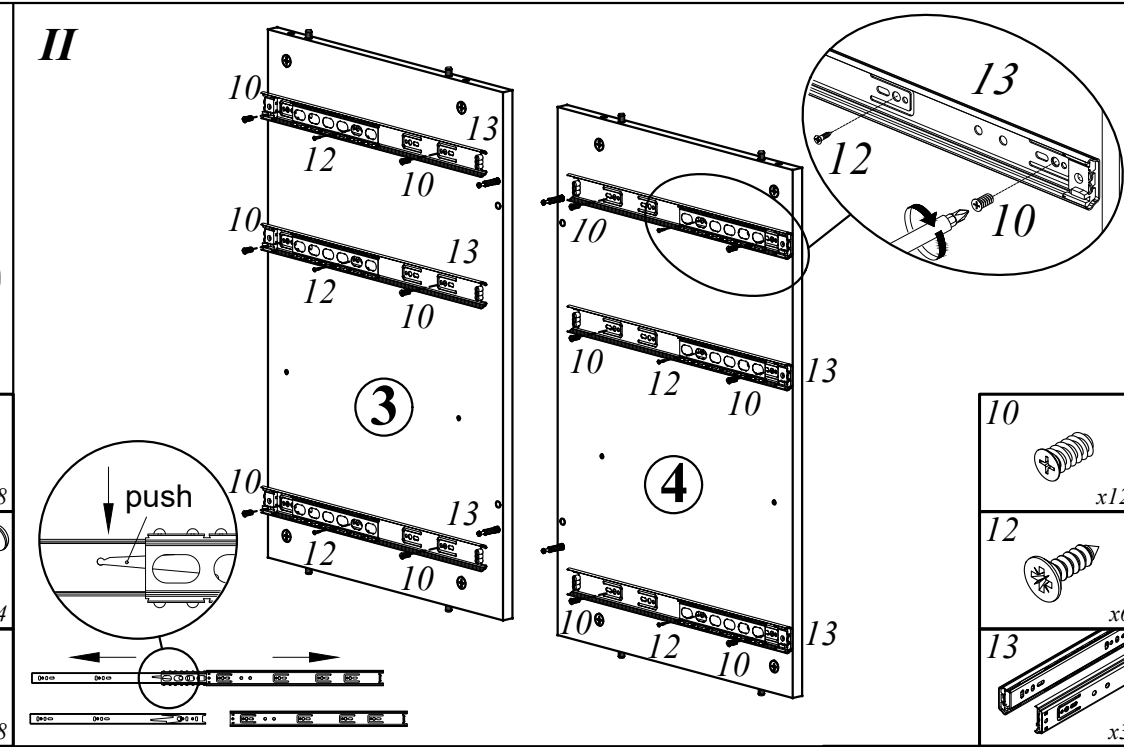
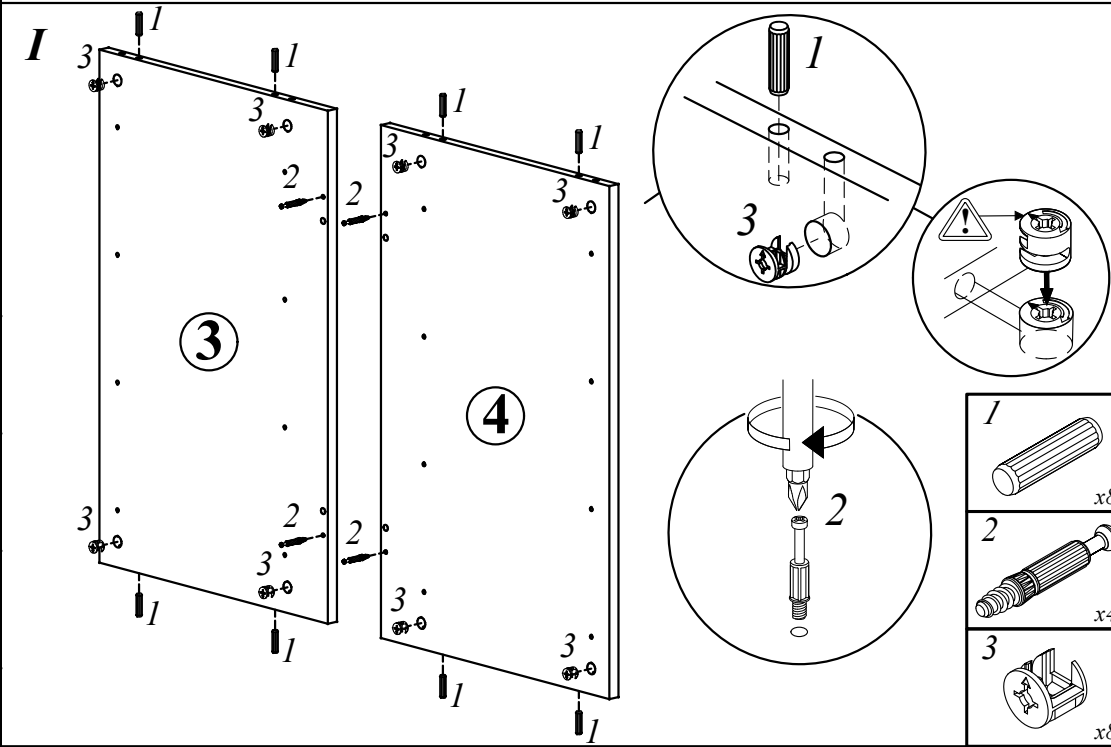
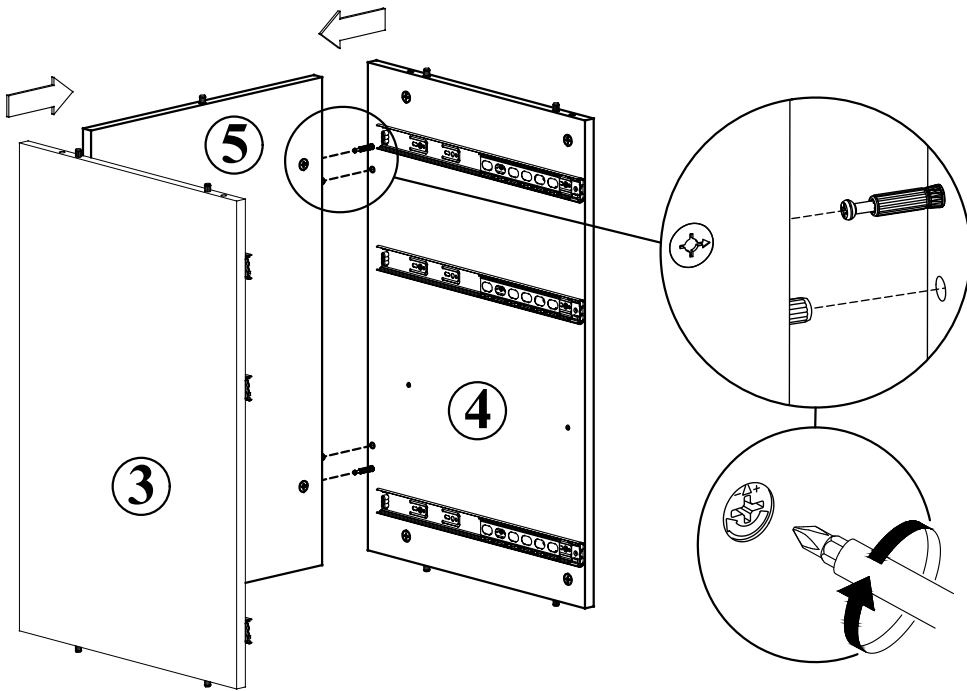


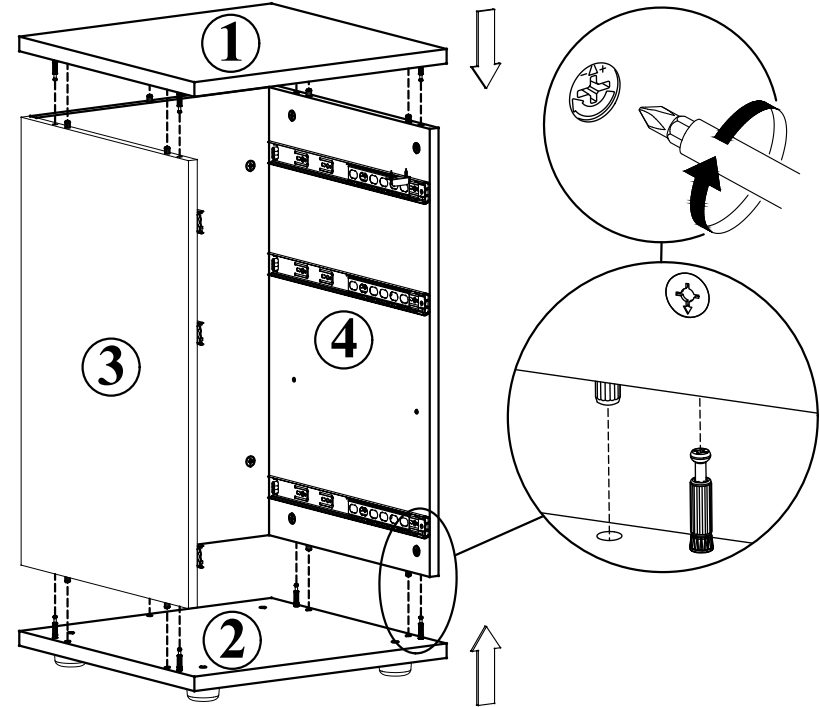
		10		x12	
1		x34	11		x4
2		x20	12		x30
3		x20	13		x3
4		x4	14		x3
5		x4	15		x1
6		x8	16		x1
7		x4	17		x1
8		x34	18		x2
9		x6	19		x2



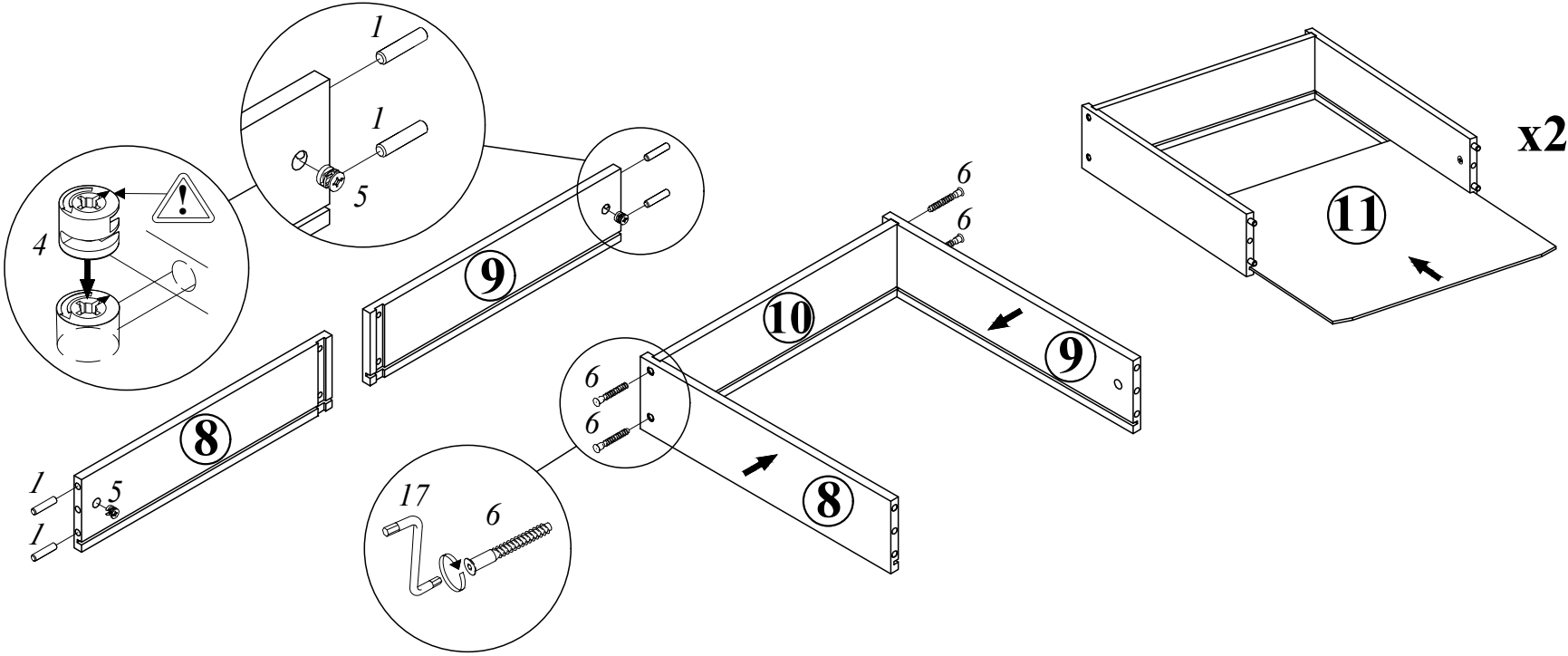
V



VI

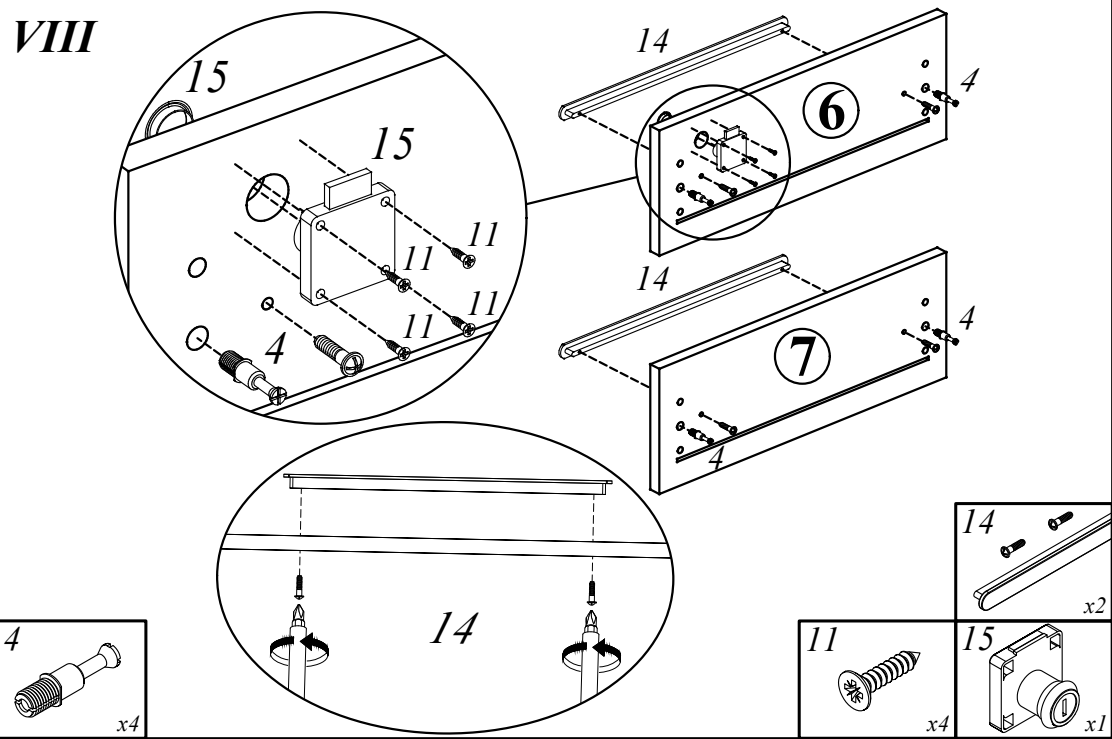


VII

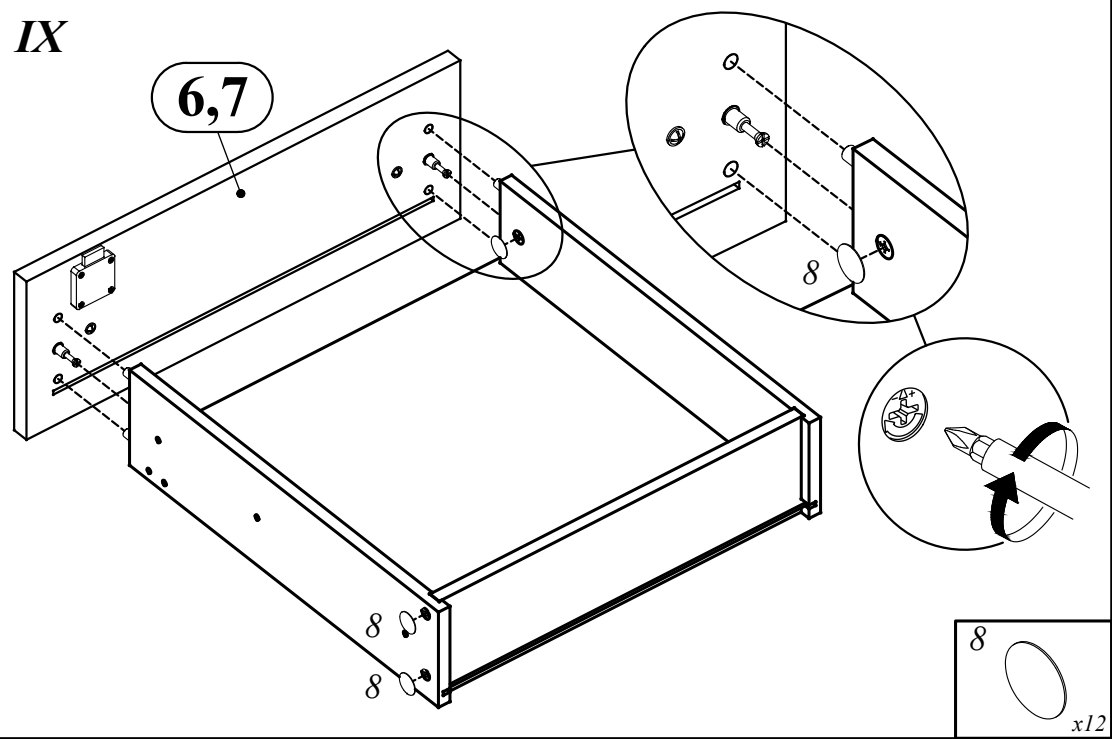


1		x8
5		x4
6		x8
17		

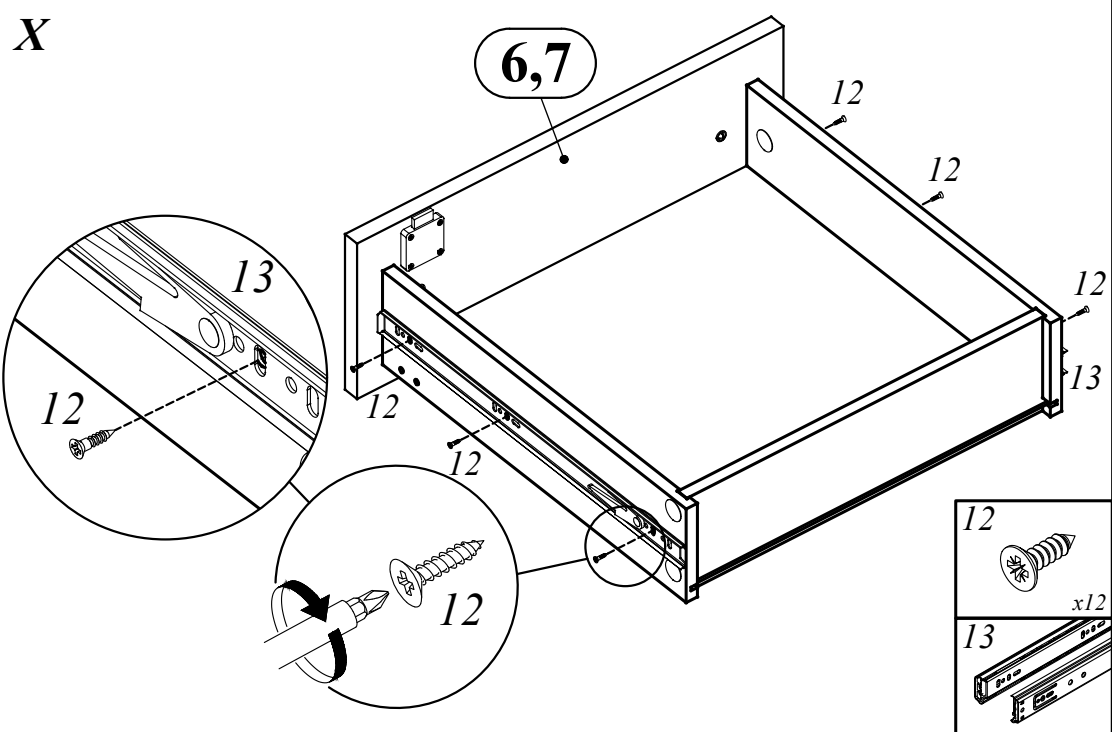
## VIII



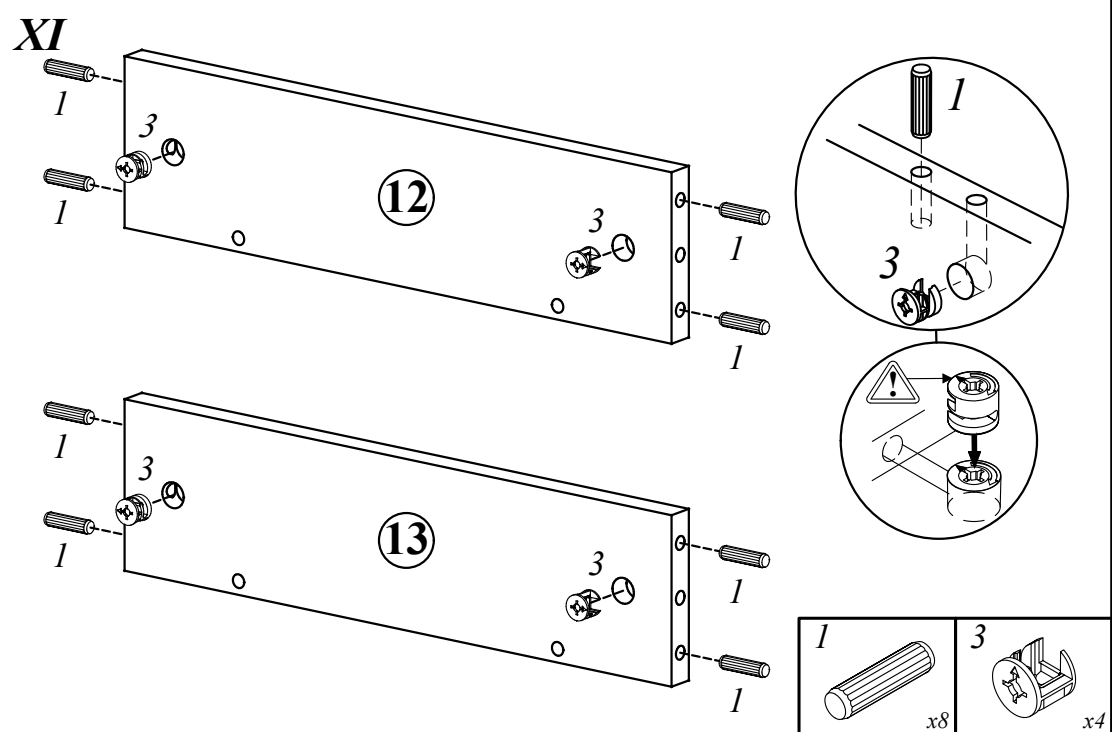
## IX

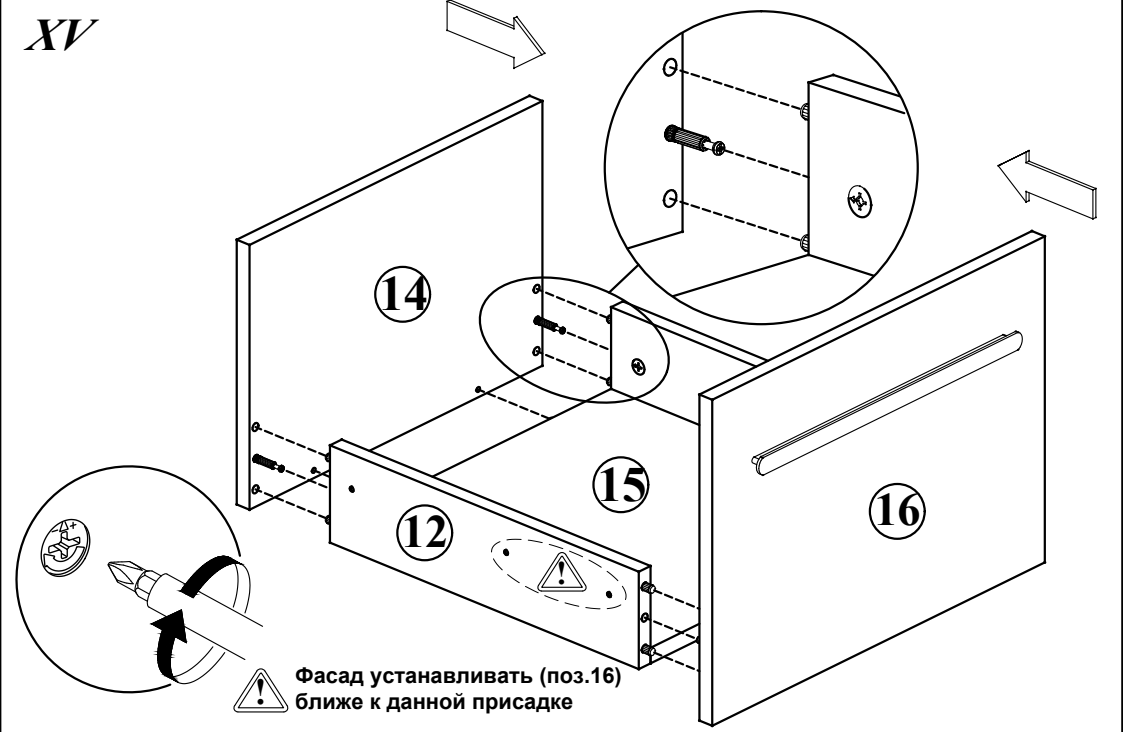
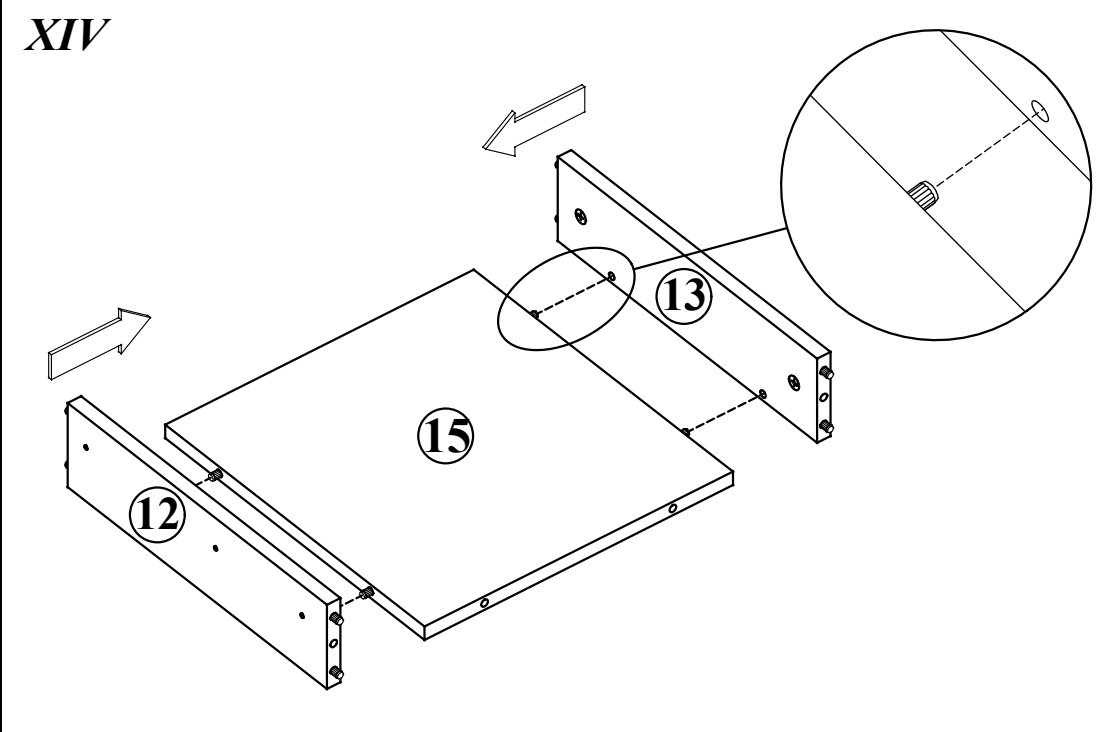
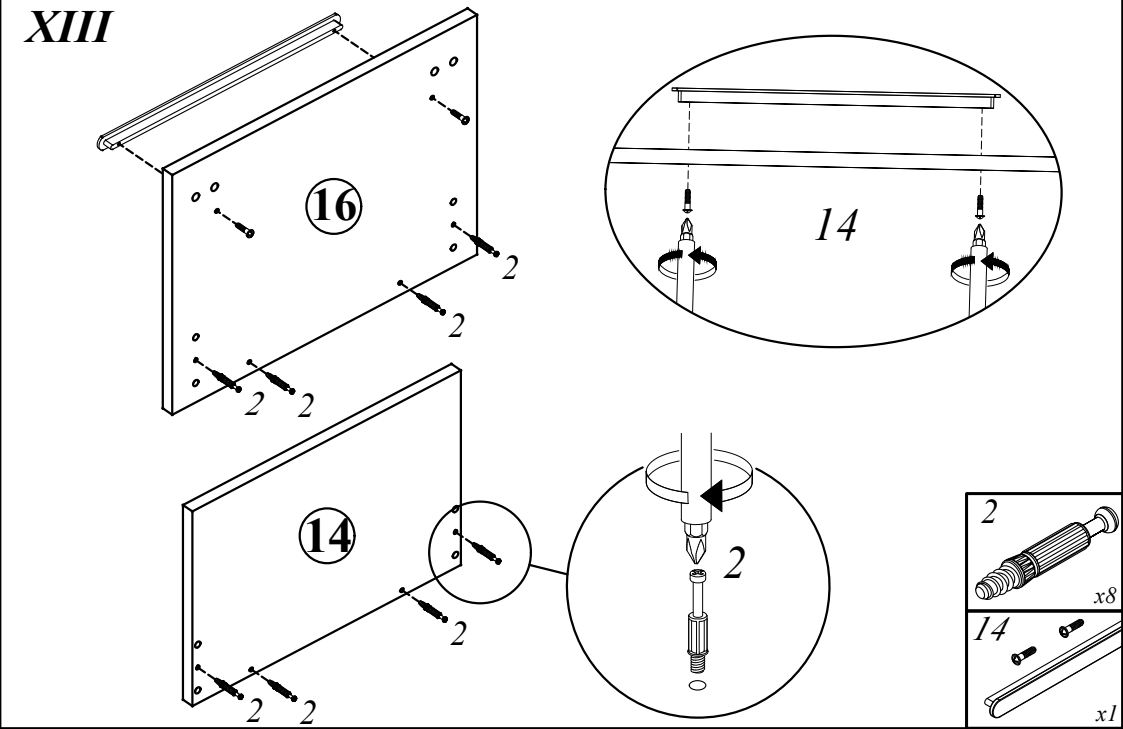
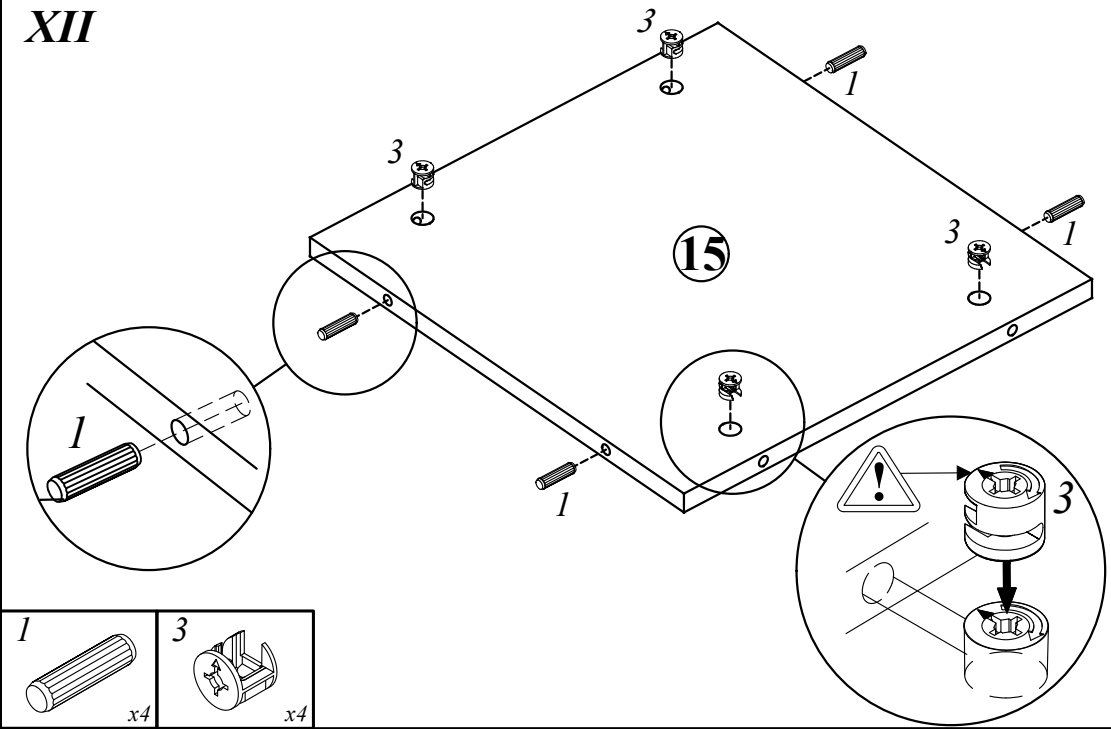


## X

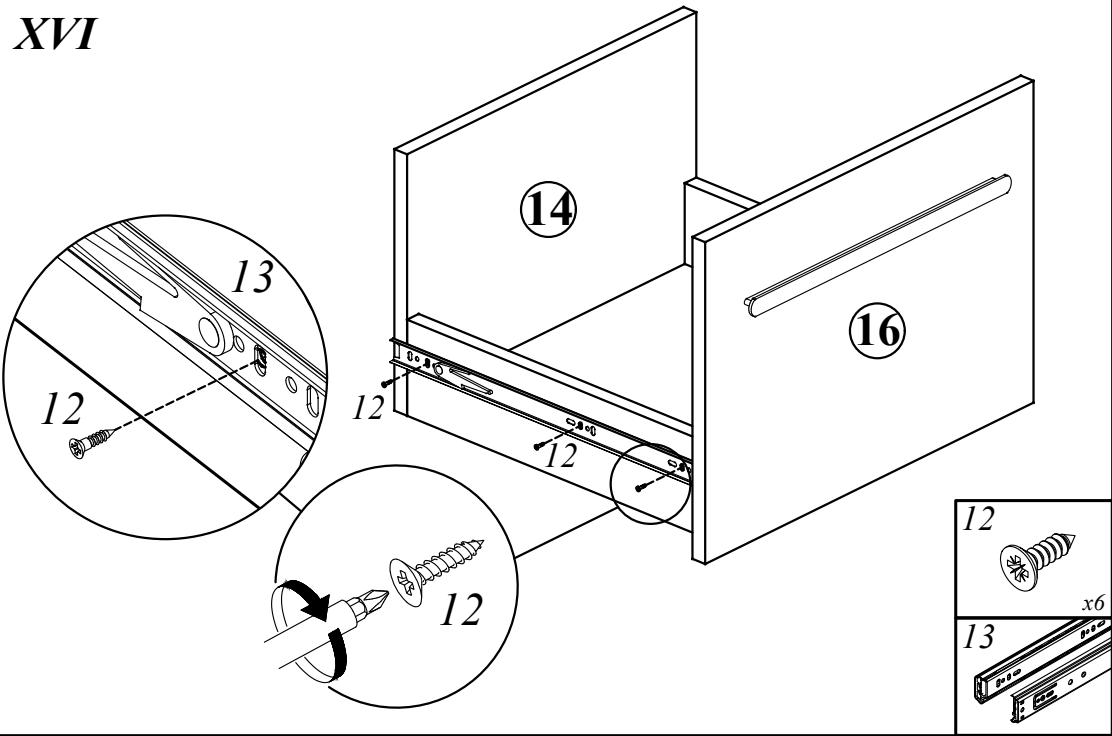


## XI

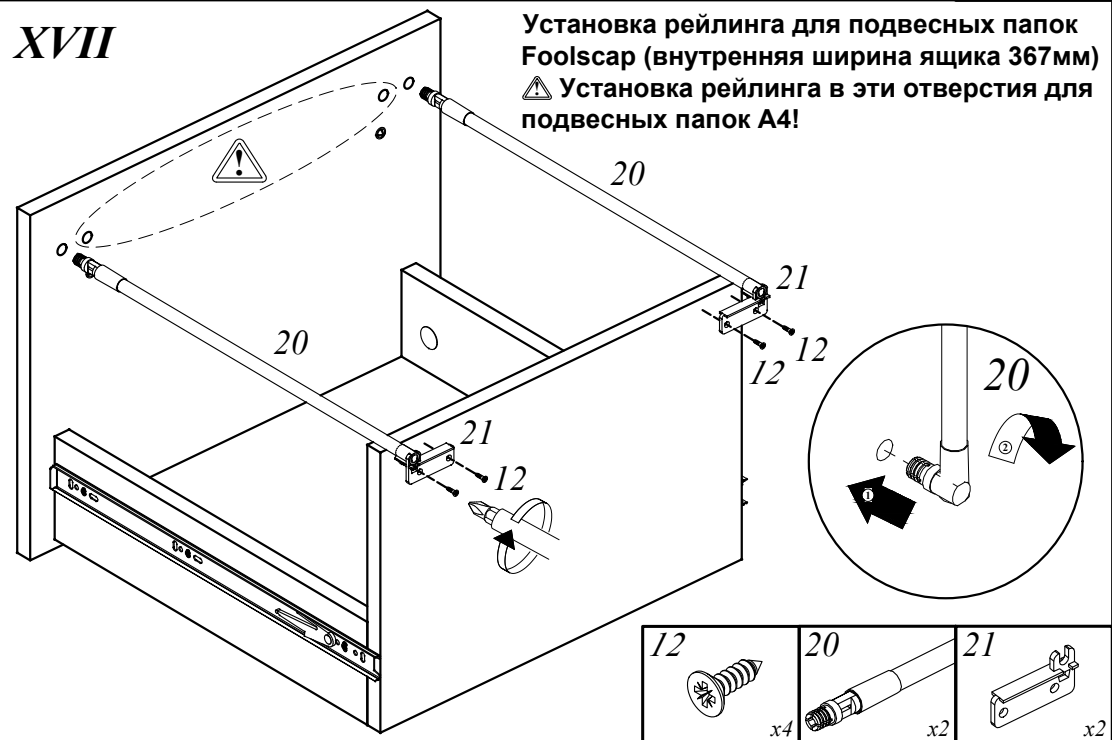




## XVI



## XVII



## XVIII

