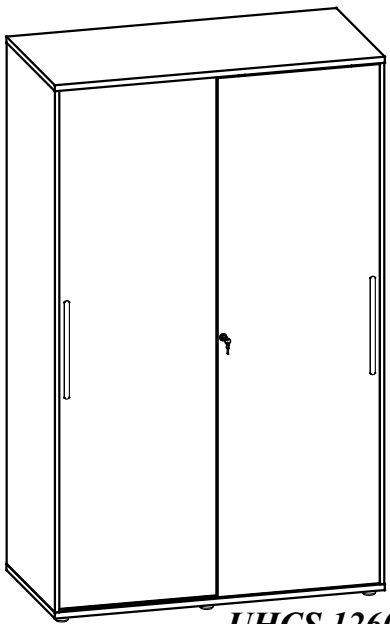
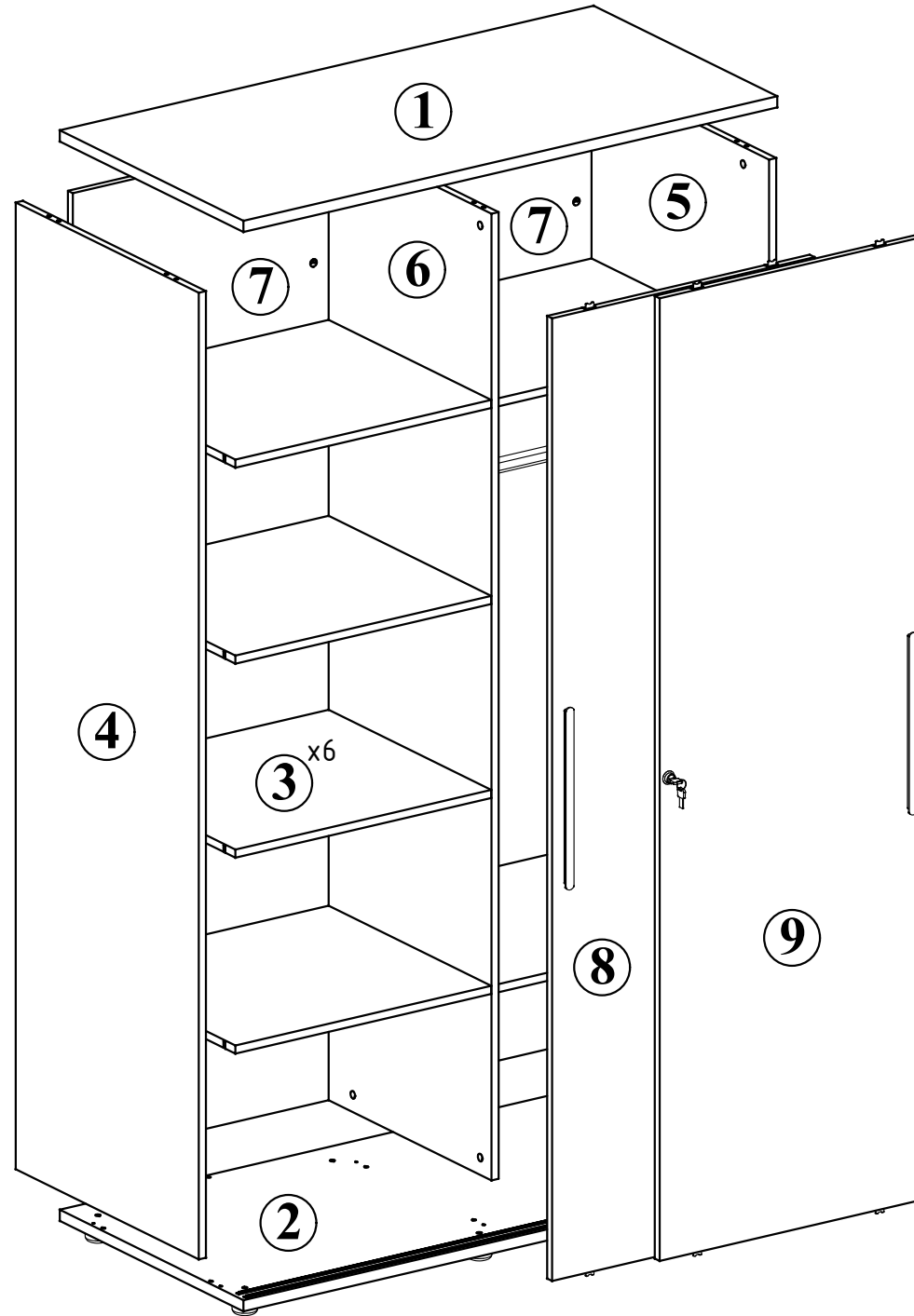
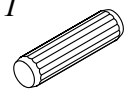
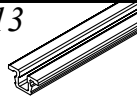
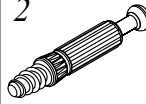
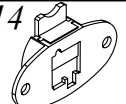
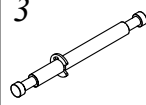
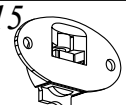
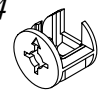
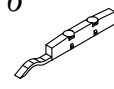
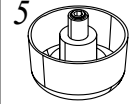
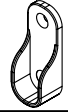
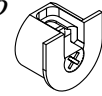
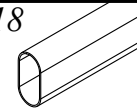
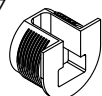

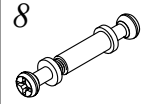



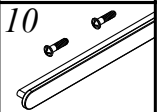

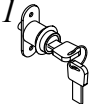
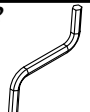
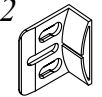



UHCS 1260

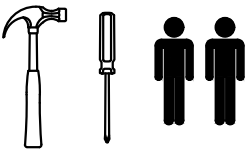


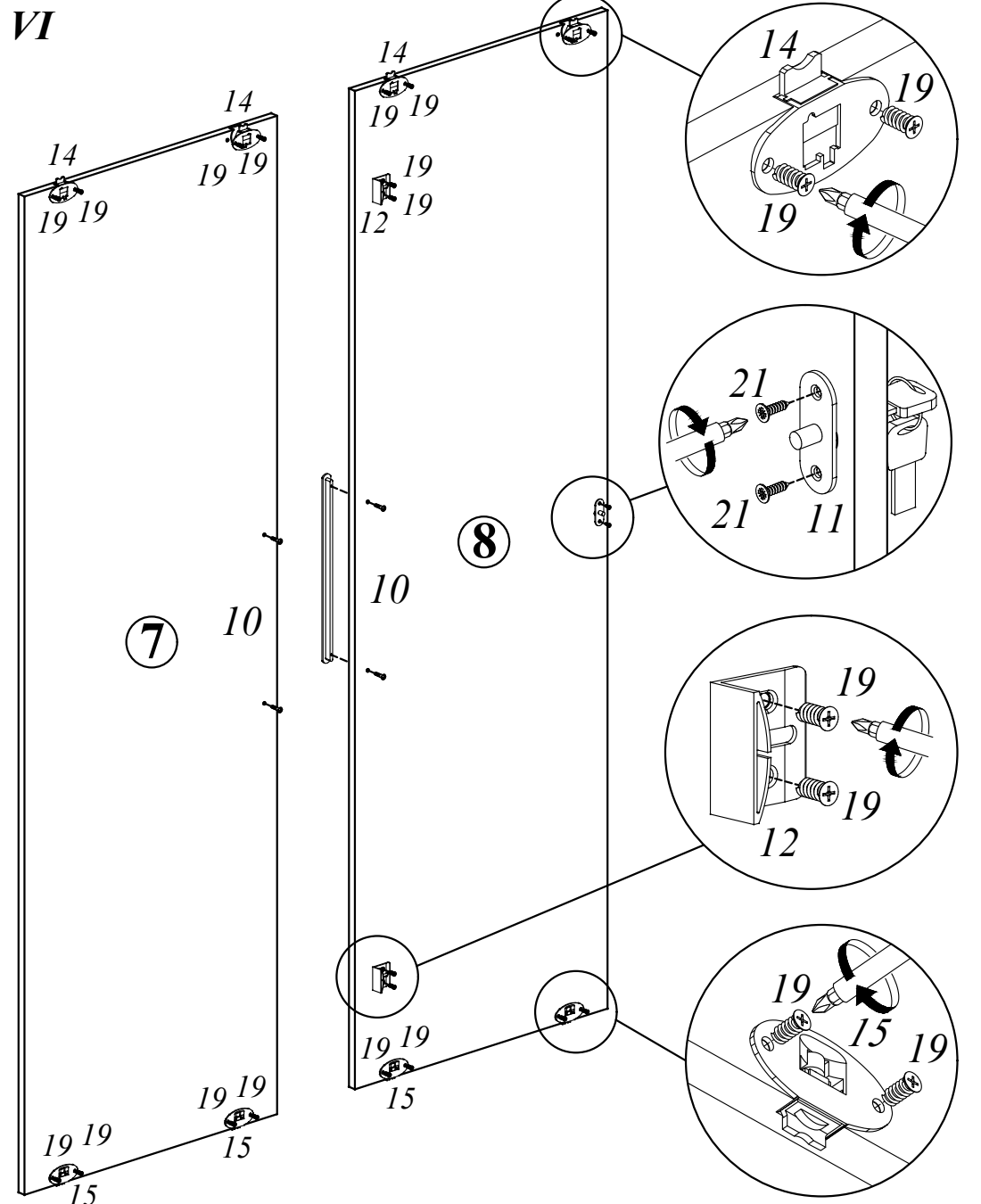
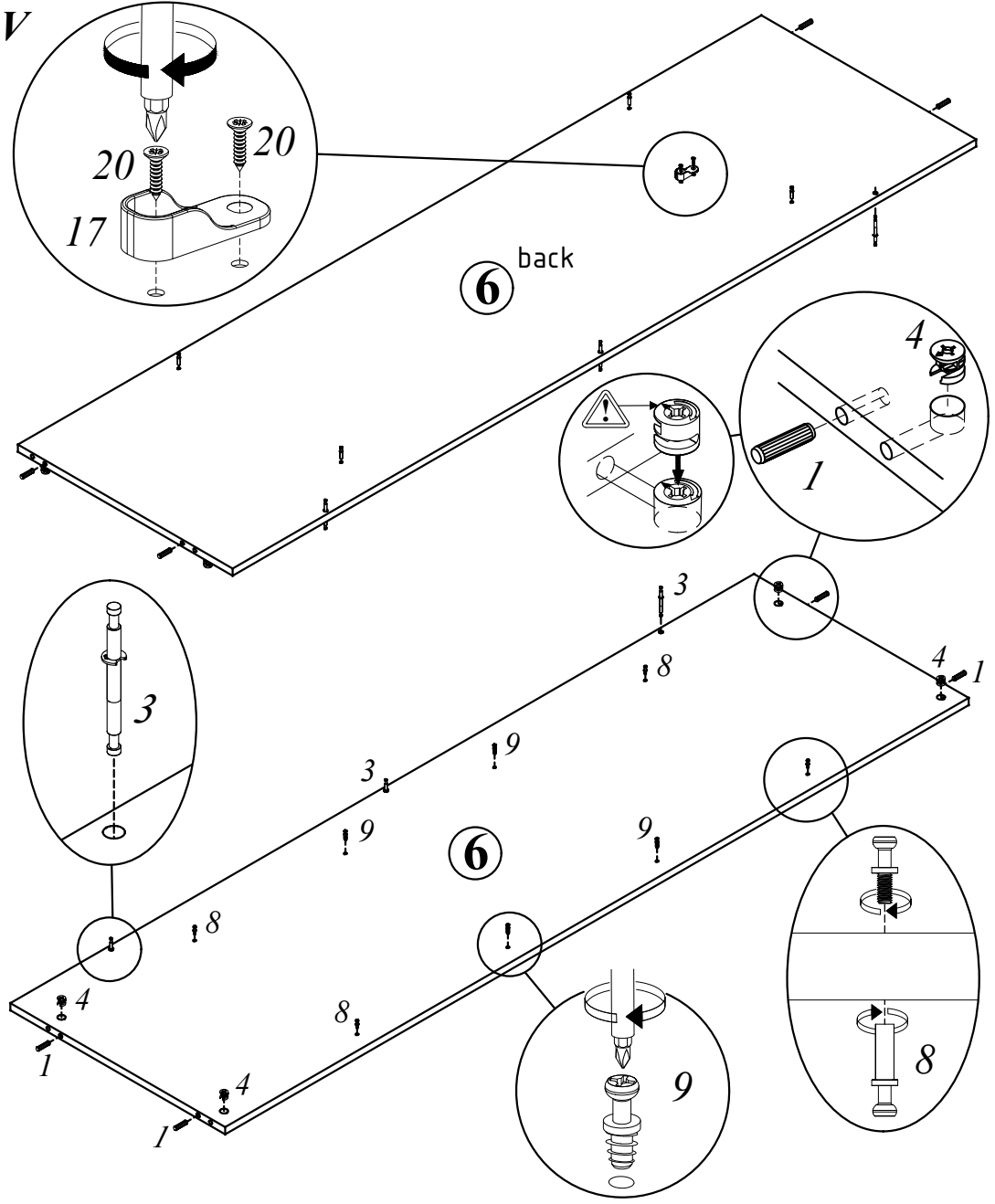
UHCS 1260



1		x20	13		x4
2		x22	14		x4
3		x3	15		x4
4		x28	16		x2
5		x6	17		x2
6		x16	18		x1
7		x8	19		x20
8		x4	20		x4
9		x16	21		x2
10		x2	22		x28
11		x1	23		x1
12		x2	24		x6

EAC





- | | | | | | | |
|----|----|----|----|----|----|----|
| 1 | 3 | 4 | 8 | 9 | 17 | 20 |
| x4 | x3 | x4 | x4 | x4 | x1 | x2 |

- | | | | | | | |
|----|----|----|----|----|-----|----|
| 10 | 11 | 12 | 14 | 15 | 19 | 21 |
| x2 | x1 | x2 | x4 | x4 | x20 | x2 |

