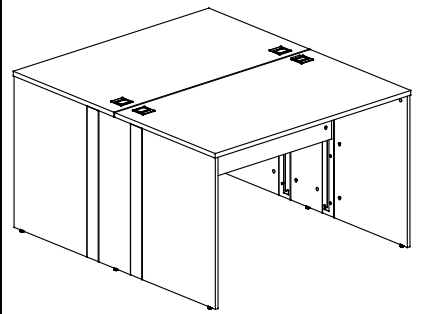
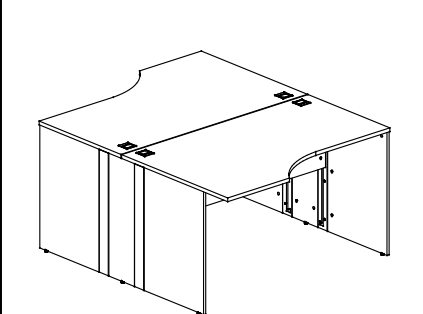


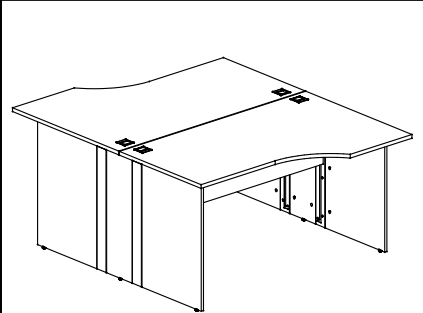
US2ST 1113



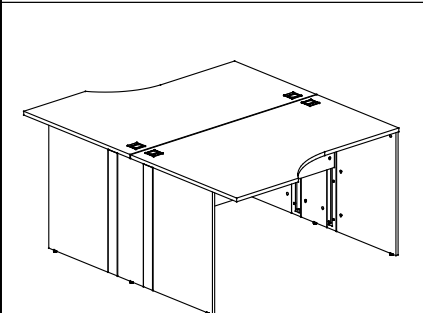
US2ST 1113, 1313, 1513



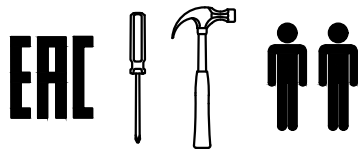
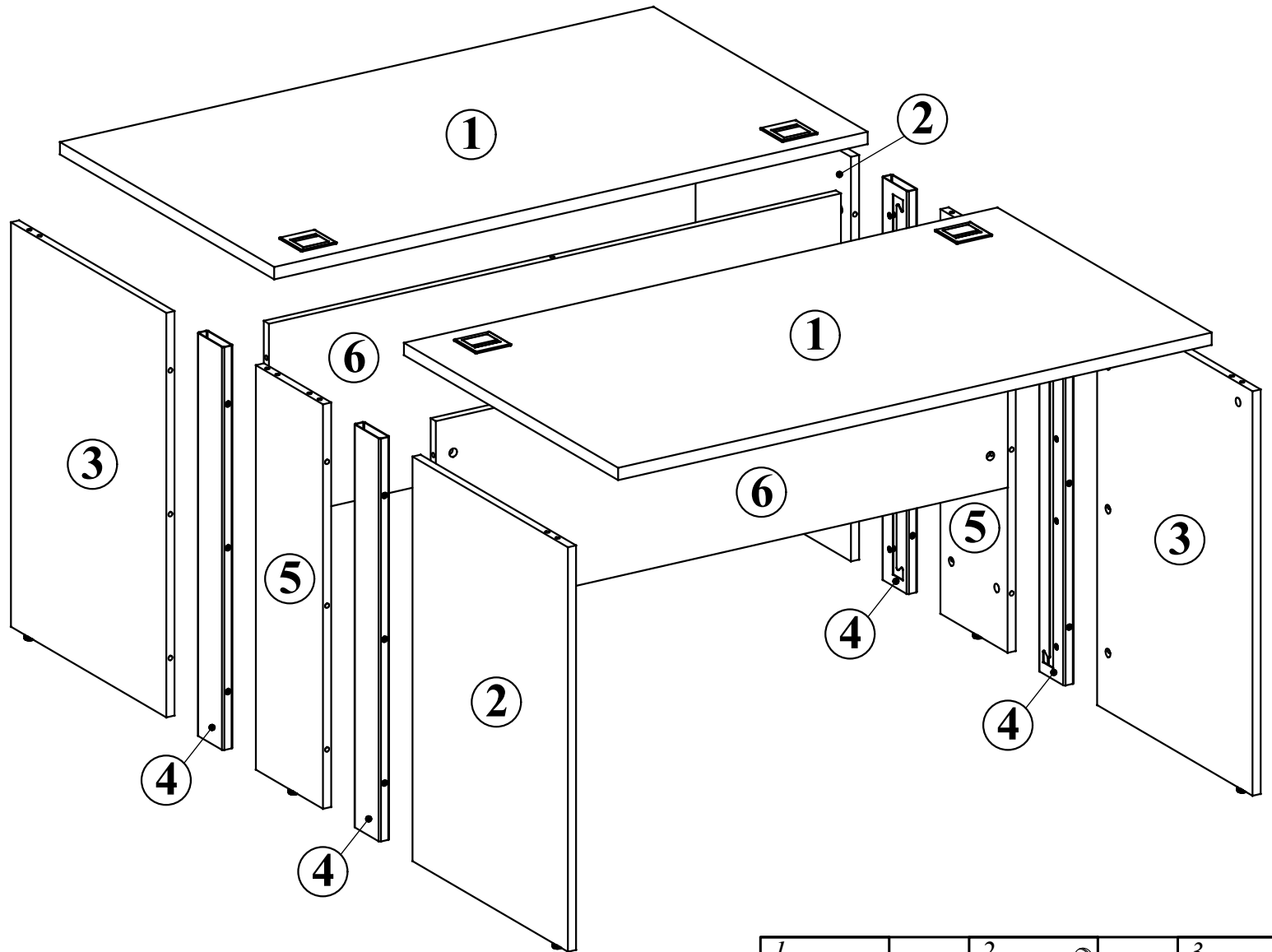
US2CET 1317.1, 1517.1

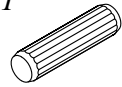
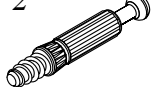
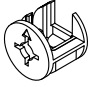
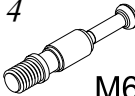
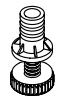
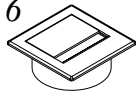



US2CET 1371.2, 1517.2

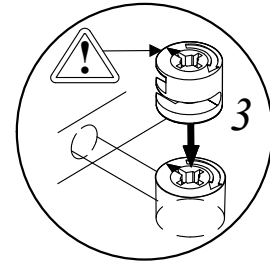
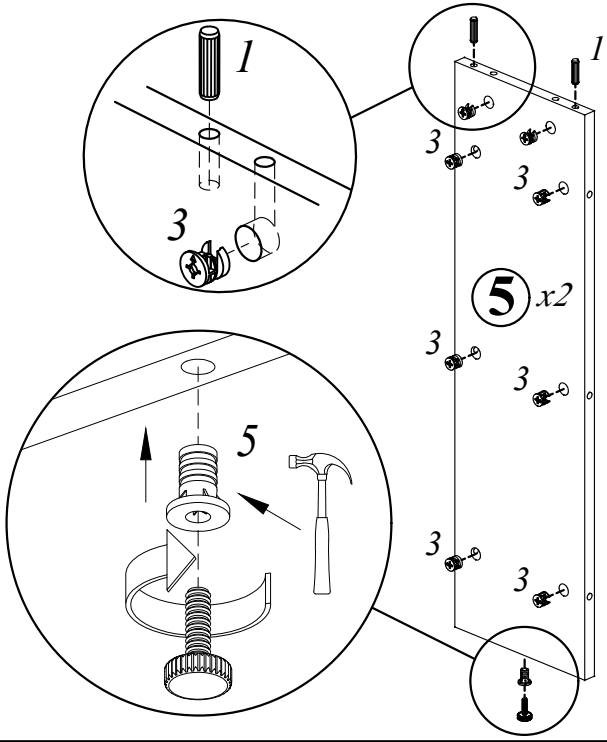


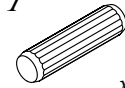
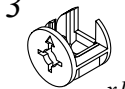
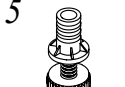
US2CET 1317.3, 1517.3



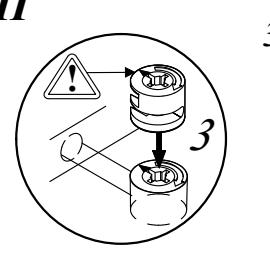
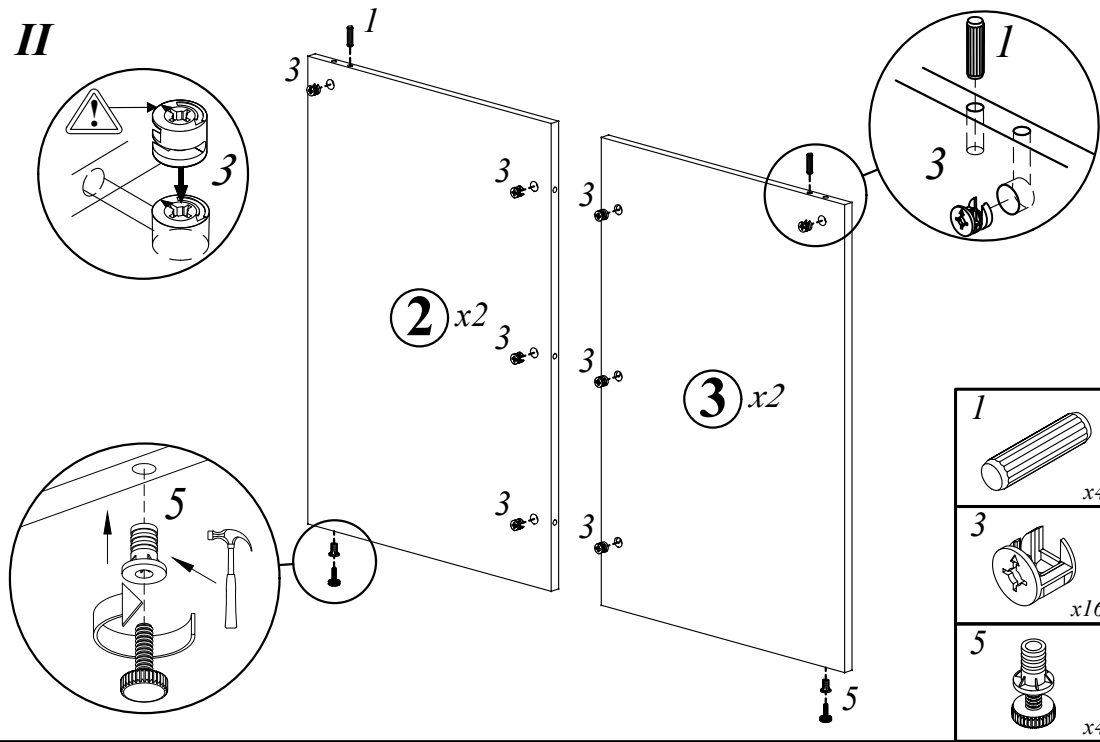
1		x8	2		x10	3		x42
4		x32	5		x6	6		x4
	M6					7		x50

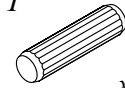
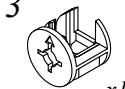
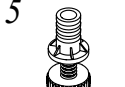
I



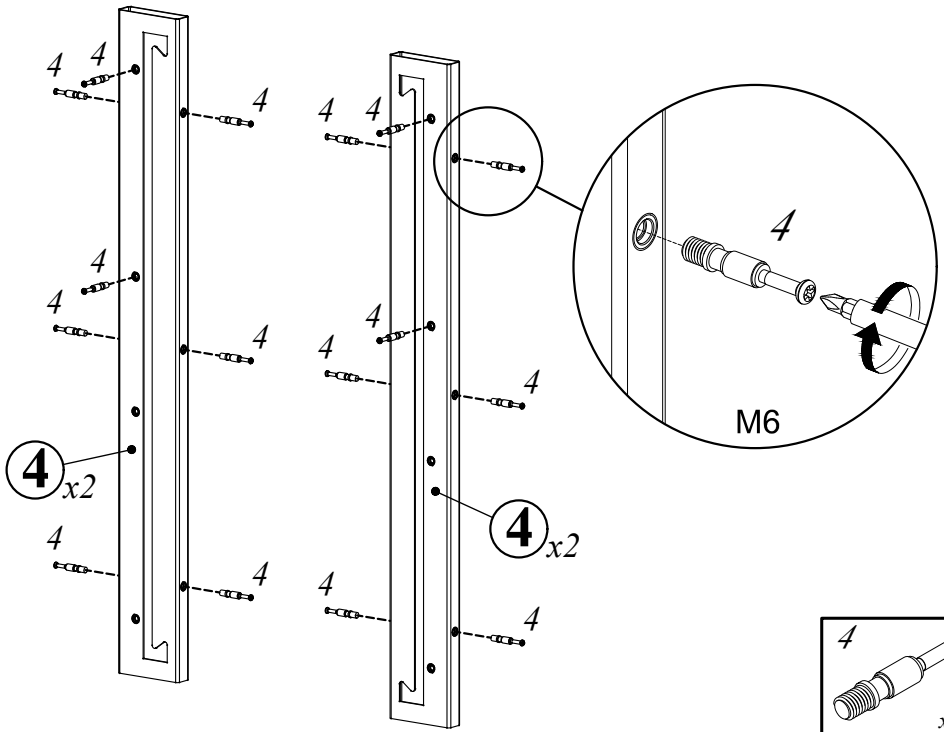
- 1  x4
- 3  x16
- 5  x2

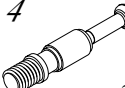
II



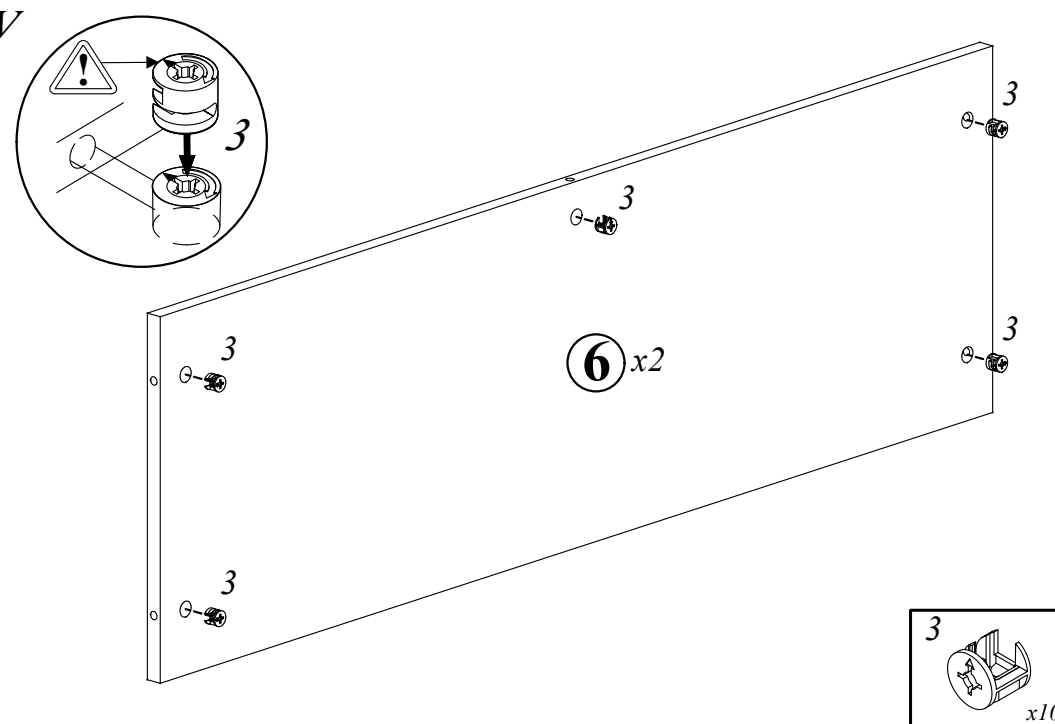
- 1  x4
- 3  x16
- 5  x4


III



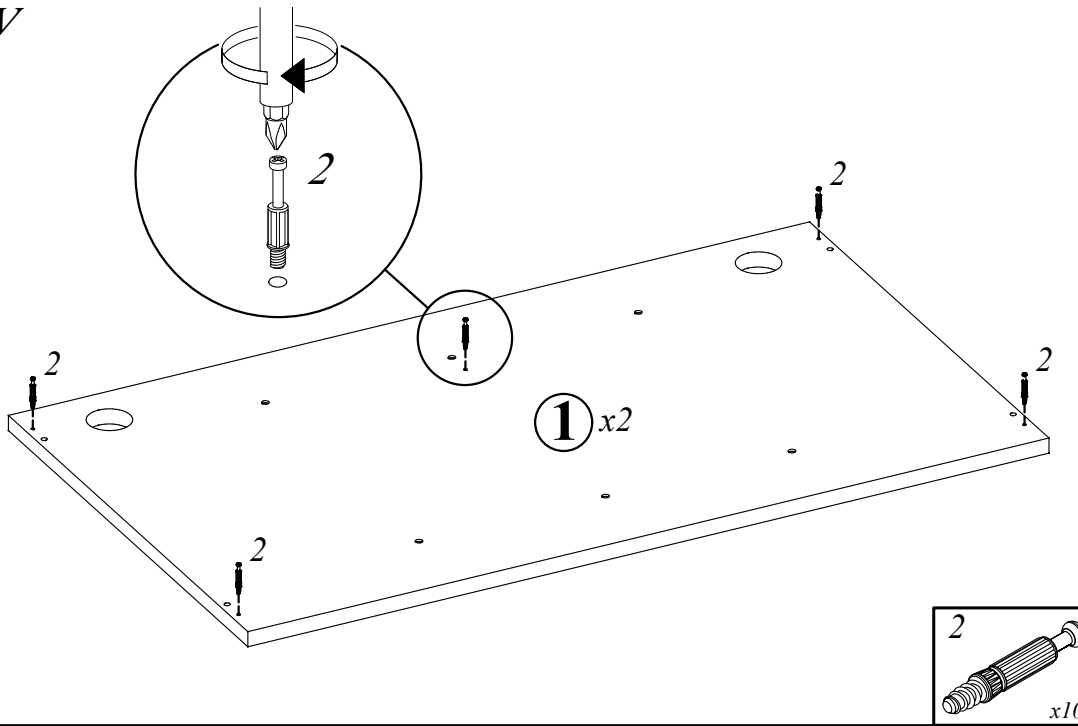
- 4  x32

IV

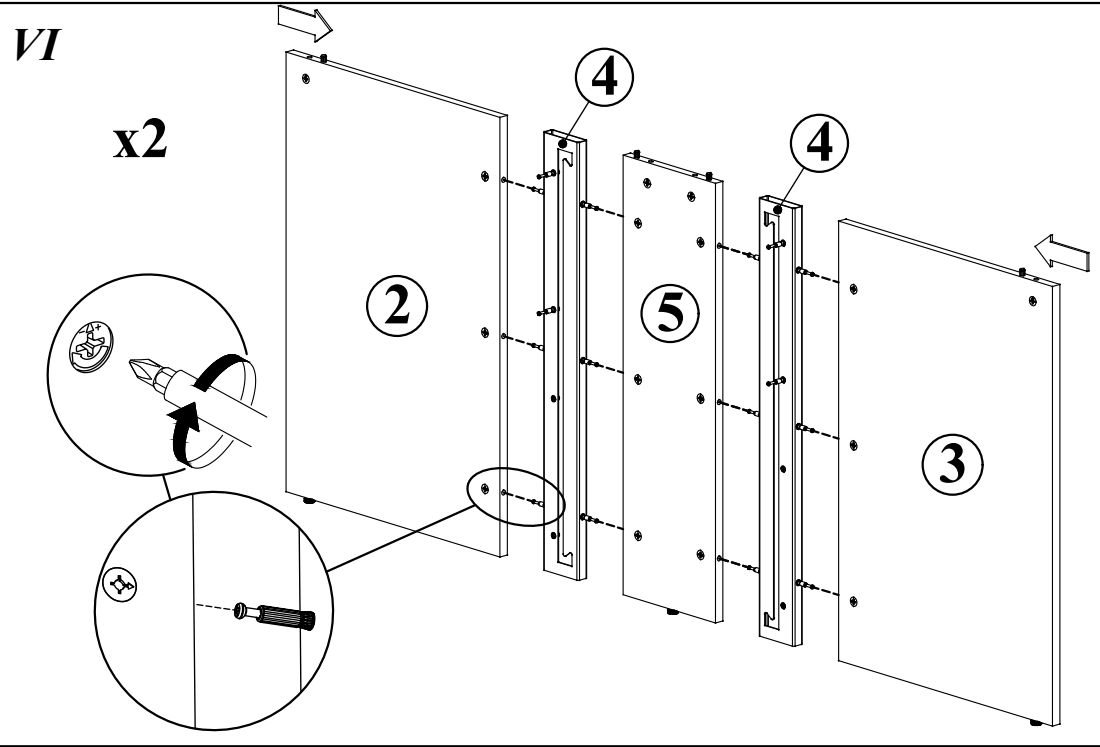


- 3  x10

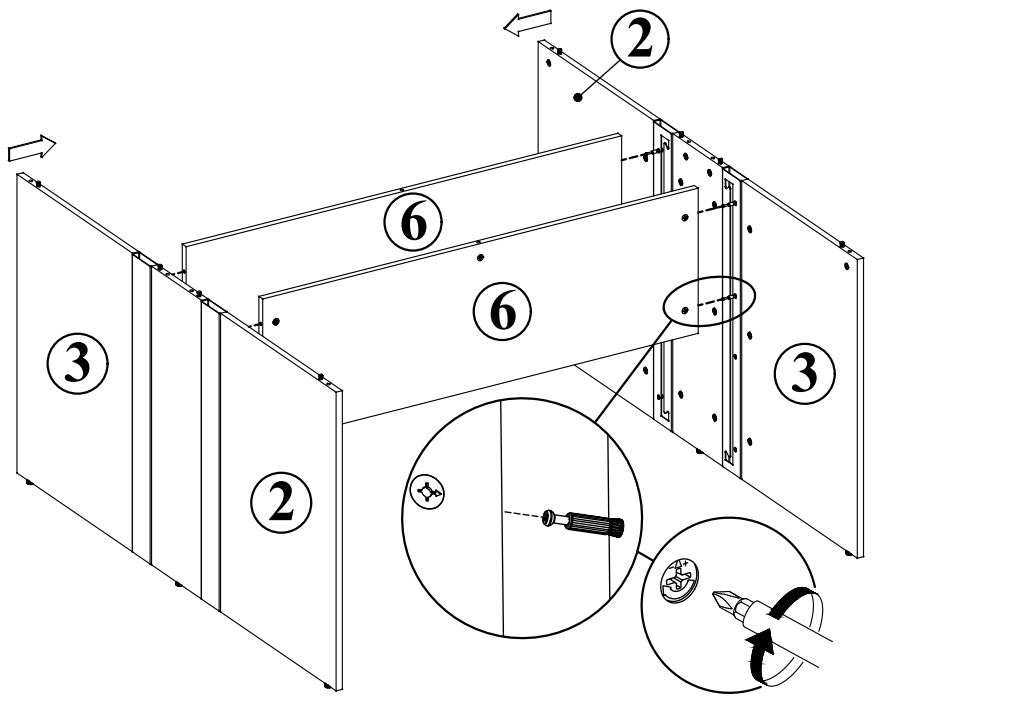
V



VI



VII



VIII

