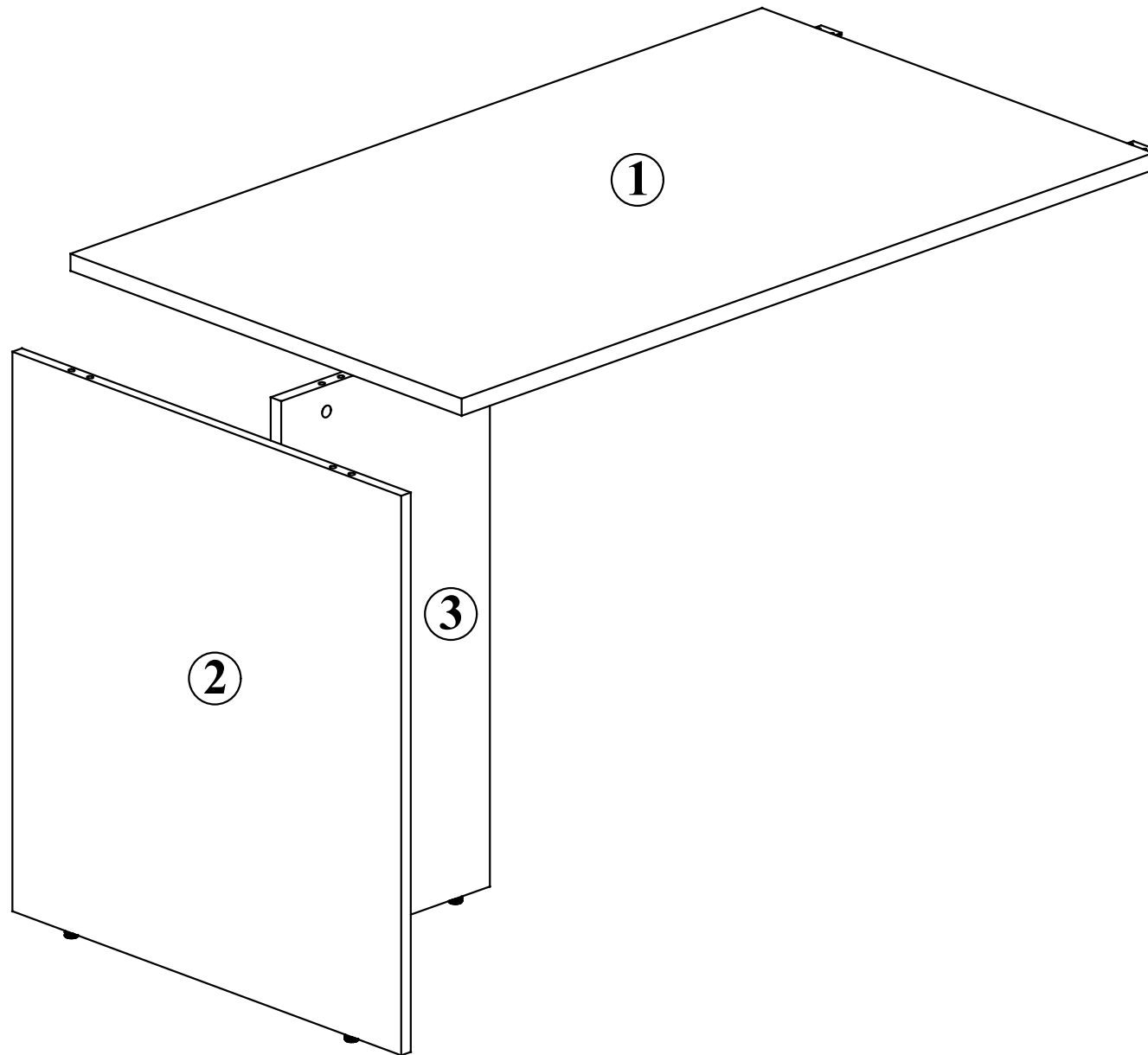
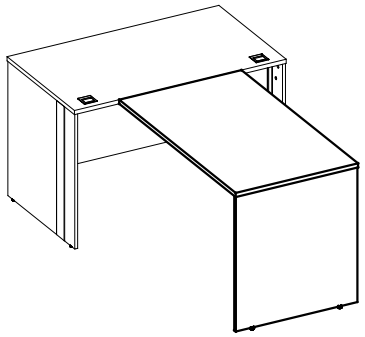


USB 1167



1		x6
2		x6
3		x6
4		x3
5		x6
6		x2
7		x16

EAC

